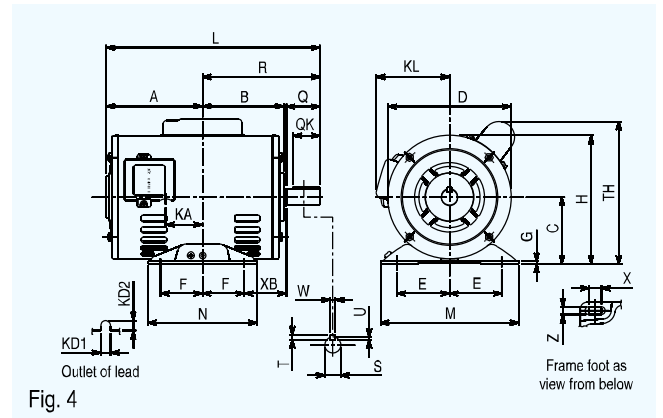
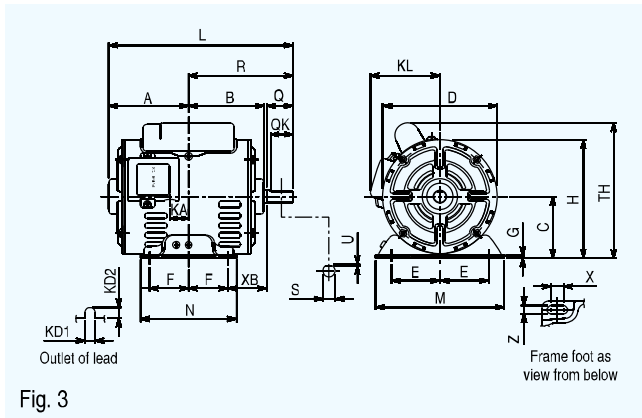


SC-KR CAPACITOR START TYPE

Open-Protected Type, IP 20 Degrees of Protection



SC-KR 1/2HP 4P 80M



Dimensions (mm)

Model	Frame No.	Output HP (kW)	Pole	Fig.	Motor																		
					A	B	C*	D	E	F	G	H	KA	KD1	KD2	KL	L	M	N	X	XB	TH	Z
SC-KR	A71	1/4(0.2)	4	3	92	87	71	131.2	56	45	3.2	136.6	21.3	12	12	82	212	148	110	15	45	170	9
	B71	1/3(0.25)	4		101	87	71	131.2	56	45	3.2	136.6	30.3	12	12	82	221	148	110	15	45	167	9
	80M	1/2(0.4)	4	4	125	97	80	146.6	62.5	50	3.2	153.3	44.5	12	12	92	265	165	130	10	50	173	10

* The perpendicular variation of tolerance for the shaft center is $\begin{matrix} 0 \\ -0.5 \end{matrix}$

Model	Frame No.	Output HP (kW)	Pole	Fig.	Shaft End						Bearing No.		Approximate Weight (kg)	Approximate Packing Dimensions (LxWxH)	Packing Weight (kg)	
					Q	QK	R	S	T	U	W	Drive End				Opposite
SC-KR	A71	1/4(0.2)	4	3	30	27	120	14 h6	-	1	-	6202ZZ	6201ZZ	6.8	245 x 200 x 184	7.5
	B71	1/3(0.25)	4		30	27	120	14 h6	-	1	-	6202ZZ	6201ZZ	7.6	255 x 200 x 184	8.2
	80M	1/2(0.4)	4	4	40	28	140	16 j6	5	3	5	6203ZZ	6202ZZ	11.4	300 x 200 x 184	12