

# SCL-KR CAPACITOR START AND RUN TYPE

Drip-proof Type, IP 22 Degrees of protection



SCL-KR 10HP 4P 132ML

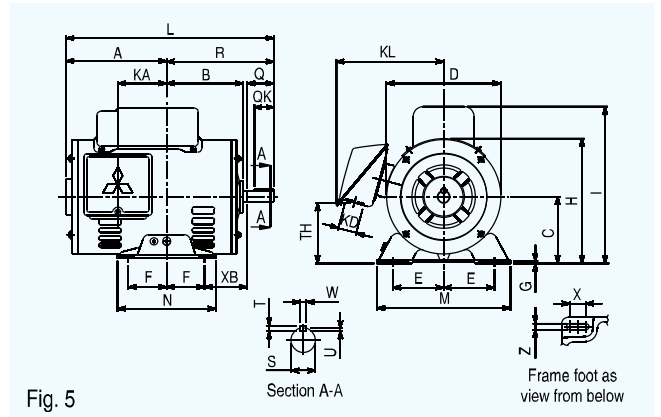


Fig. 5

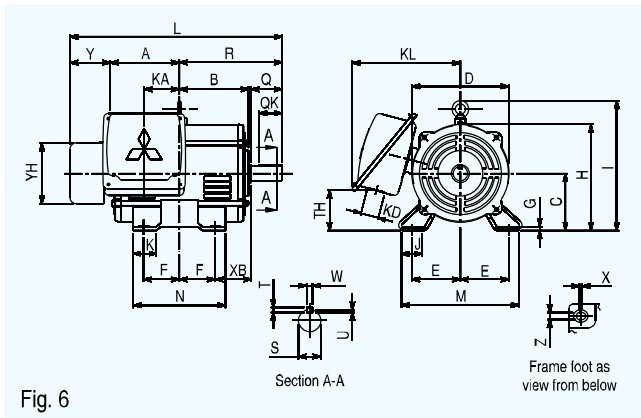


Fig. 6

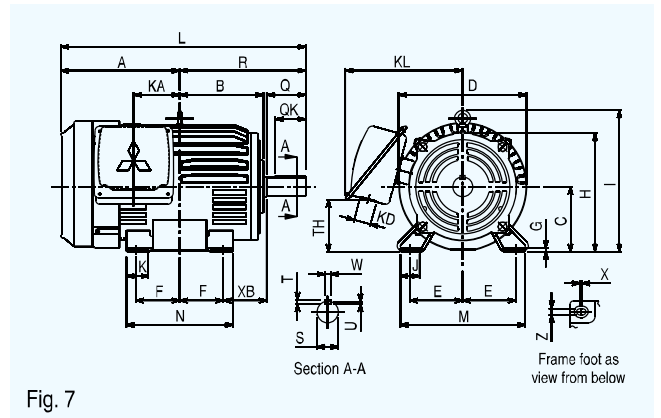


Fig. 7

Dimensions (mm)

Model	Frame No.	Output HP (kW)	Pole	Fig.	Motor																						
					A	B	C*	D	E	F	G	H	I	J	K	KA	KD	KL	L	M	N	XB	TH	Y	YH	X	Z
SCL-KR	90S	1(0.75)	4	5	132	103	90	165.7	70	50	3.2	173	220	-	-	68	27	157	278	175	125	56	81	-	-	10	10
	90L	1.5(1.1)	4		120	115	90	165.7	70	62.5	4	173	220	-	-	55	27	157	313	175	150	56	81	-	-	15	9
	100L	2(1.5)	4	6	118	128	100	168	80	70	6.5	184	-	40	45	65	35	201	400	200	180	63	64	89	118	4	12
	112M	3(2.2)	4		125	135	112	190	95	70	6.5	207	254	40	45	69	35	211	414	230	180	70	79	89	118	4	12
	132S	5(3.7)	4	7	223	152	132	266	108	70	6.5	242	289	40	45	75	27	215	462	256	180	89	117	-	-	4	12
	132M	7.5(5.5)	4		242	171	132	266	108	89	6.5	242	289	40	45	94	35	240	500	256	218	89	106	-	-	4	12
	132ML	10(7.5)	4		270	171	132	266	108	89	6.5	242	289	40	45	122	35	240	528	256	218	89	106	-	-	4	12

\* The perpendicular variation of tolerance for the shaft center is  $\begin{matrix} 0 \\ -0.5 \end{matrix}$

Model	Frame No.	Output HP (kW)	Pole	Fig.	Shaft End						Bearing No.		Approximate Weight (kg)	Approximate Packing Dimensions (LxWxH)	Packing Weight (kg)	
					Q	QK	R	S	T	U	W	Drive End				Opposite
SCL-KR	90S	1(0.75)	4	5	40	28	146	19 j6	6	3.5	6	6204ZZ	6202ZZ	15	368 x 280 x 250	16
	90L	1.5(1.1)	4		50	40	168.5	24 j6	7	4	8	6205ZZ	6203ZZ	18.6	390 x 280 x 250	18.2
	100L	2(1.5)	4	6	60	45	193	28 j6	7	4	8	6206ZZ	6205ZZ	24.5	437 x 355 x 300	25.4
	112M	3(2.2)	4		60	45	200	28 j6	7	4	8	6207ZZ	6206ZZ	32.8	504 x 411 x 327	39
	132S	5(3.7)	4	7	80	63	239	38 k6	8	5	10	6308ZZ	6207ZZ	45.8	552 x 438 x 359	53
	132M	7.5(5.5)	4		80	63	258	38 k6	8	5	10	6308ZZ	6207ZZ	60.0	602 x 475 x 369	68
	132ML	10(7.5)	4		80	63	258	38 k6	8	5	10	6308ZZ	6207ZZ	68.2	630 x 475 x 369	76