

SF-J 160M~250M HORIZONTAL TYPE

Totally Enclosed Fan Cooled Type, IP 55 Degrees of Protection



SF-J 75HP 4P 225S

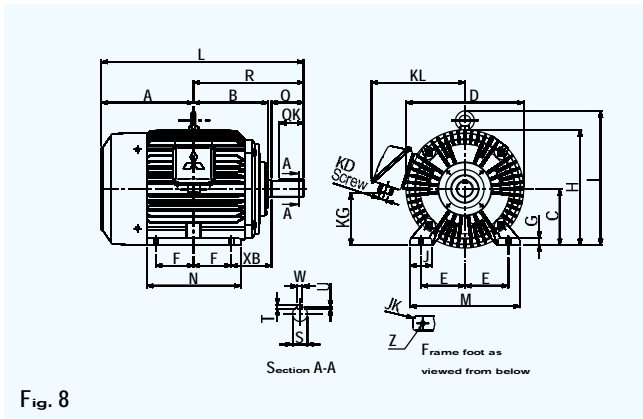


Fig. 8

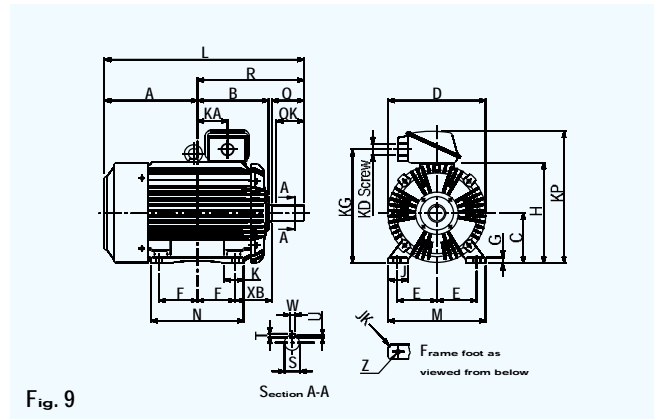


Fig. 9

Dimensions (mm)

Model	Frame No.	Output HP (kW)			Fig.	Motor																Terminal Box					
		2-Pole	4-Pole	6-Pole		A	B	C*	D	E	F	G	H	I	J	JK	K	L	M	N	XB	Z	KA	KG	KD	KL	KP
SF-J	160M	15(11), 20(15)	15(11)	10(7.5)	8	252	207	160	324	127	105	20	322	373	55	R6	-	575	310	260	108	15	-	127	PF1 1/4	271	-
	160L	25(18.5)	20(15)	15(11)		274	229	160	324	127	127	20	322	373	55	R6	-	619	310	304	108	15	-	127	PF1 1/4	271	-
	180M	30(22)	25(18.5), 30(22)	20(15)		294.5	239	180	376	139.5	120.5	22	367	427	70	R6	-	646	350	300	121	15	-	151	PF1 1/2	295	-
	180L	40(30)	40(30)	25(18.5), 30(22)	313.5	258	180	376	139.5	139.5	22	367	427	70	R6	-	684	350	338	121	15	-	151	PF1 1/2	295	-	
	200L	50(37), 60(45)	50(37), 60(45)	40(30), 50(37)	370.5	281	200	410	159	152.5	25	405	-	80	R6	78	(766) 796	390	369	133	18.5	120	476	PF2	-	550	
	225S	75(55)	75(55)	60(45)	9	380	287.5	225	459	178	143	28	457	-	80	R8	82	(782) 812	430	350	149	18.5	120	528	PF2	-	602
	250S	-	100(75)	-	417.5	318.7	250	495	203	155.5	30	-	-	80	R8	95	881	486	387	168	24	136.5	560	PF2 1/2	-	643	
250M	-	120(90)	-	436.5	337.7	250	495	203	174.5	30	-	-	80	R8	95	919	486	425	168	24	155.5	560	PF2 1/2	-	643		

* The perpendicular variation of tolerance for the shaft center is $\begin{matrix} 0 \\ -0.5 \end{matrix}$

Model	Frame No.	Shaft End						Bearing No.		Approximate Weight (kg)			Approximate Packing Dimensions (LxWxH)	Packing Weight (kg)			
		Q	QK	R	S	T	U	W	Drive End	Opposite	2-Pole	4-Pole		6-Pole	2-Pole	4-Pole	6-Pole
SF-J	160M	110	90	323	42 \times 6	8	5	12	6309ZZ	6308ZZ	105, 115	107	107	743 x 601 x 494	126, 136	128	128
	160L	110	90	345	42 \times 6	8	5	12	6309ZZ	6308ZZ	145	135	135	787 x 601 x 494	166	156	156
	180M	110	90	351.5	48 \times 6	9	5.5	14	6311ZZ	6310ZZ	190	185, 195	195	814 x 651 x 548	214	209, 219	219
	180L	110	90	370.5	55 \times 6	10	6	16	6312ZZ	6310ZZ	220	230	220, 235	852 x 651 x 548	244	254	244, 259
	200L	(110) 140	(90) 110	(395.5) 425.5	(55 \times 6) 60 \times 6	(10) 11	(6) 7	(16) 18	(6312ZZC3) 6313ZZ	(6311ZZC3) 6311ZZ	280, 195	285, 310	295, 340	964 x 542 x 691	307, 222	312, 337	322, 367
	225S	(110) 140	(90) 110	(402) 432	(55 \times 6) 60 \times 6	(10) 11	(6) 7	(16) 18	(6312ZZC3) 6315ZZ	(6312ZZC3) 6312ZZ	315	345	370	980 x 591 x 774	345	375	400
	250S	140	110	463.5	75 \times 6	12	7.5	20	6318ZZ	6315ZZ	-	485	-	1087 x 627 x 824	-	500	-
250M	140	110	482.5	75 \times 6	12	7.5	20	6318ZZ	6315ZZ	-	516	-	1087 x 627 x 824	-	531	-	

() is dimension for 2-pole motors.