

INDUCTION MOTOR
AC/DC MOTOR
DC BRUSSLESS MOTOR
MOTORGEAR
WORMGEAR REDUCER
NMRV GEAR

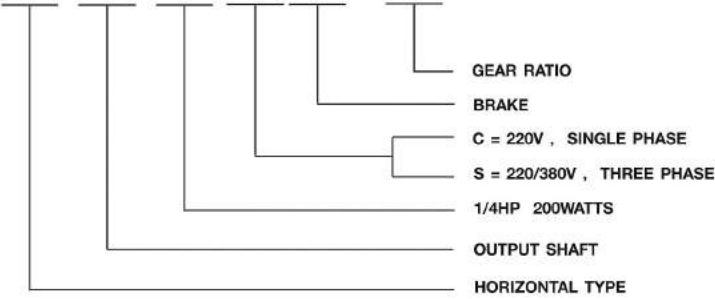


Suntech

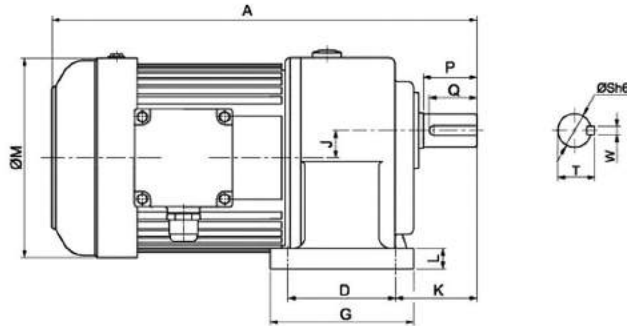
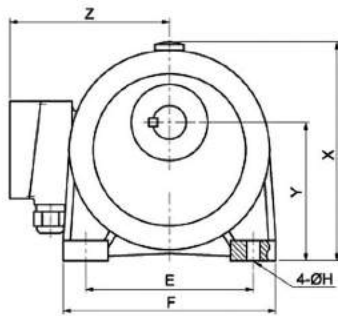
E MODEL CODE

Suntech

E - 22 - 200 - S - B - 1 : 60



รุ่นชาตัง ทนทานให้แรงบิดสูง
ห้องเกียร์ใช้จาราบิทนความร้อนสูง ไม่ต้องเปลี่ยนตลอดอายุการใช้งาน



输出轴尺寸 Output Shaft					
输出轴 Shaft		键槽 Keyway			键 Key
Sh6	P	W	T	Q	B x H x L
ø18	30	5	20.2	27	5 x 5 x 27
ø22	40	7	25	35	7 x 7 x 35
ø28	45	7	31.1	40	7 x 7 x 40
ø32	55	10	35.5	50	10 x 8 x 50
ø40	65	10	43.5	60	10 x 8 x 60



Unit (mm)

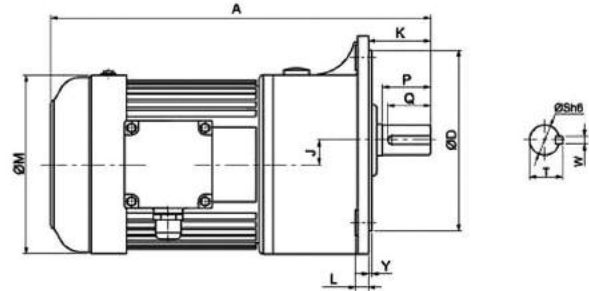
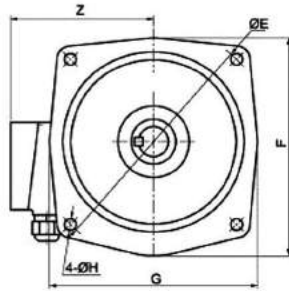
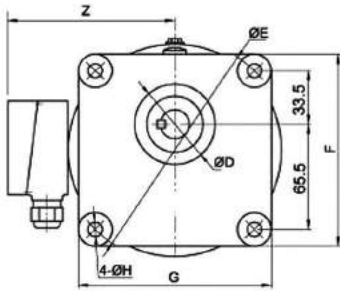
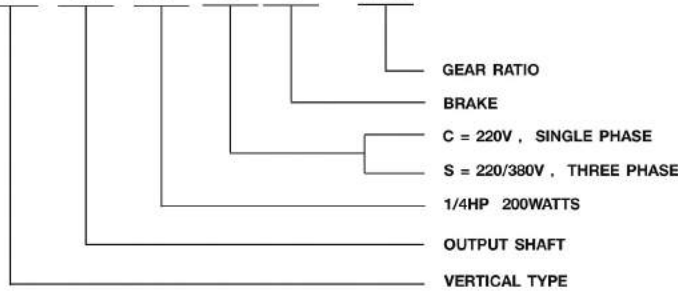
功率 Power	减速比 Ratio	箱体 Code	规格 Size	A	D	E	F	G	H	J	K	L	M	X	Y	Z
100W 1/8HP	3-50	1#	ø18	250	40	110	135	65	9	16	50	10.5	133	138	88.5	120
	60-200	2#	ø22	280	65	130	158	90	11	17.5	60	13	133	152	97.5	120
200W 1/4HP	3-10	1#	ø18	280	40	110	135	65	9	16	50	10.5	133	138	88.5	120
	15-90	2#	ø22	315	65	130	158	90	11	17.5	60	13	133	152	97.5	120
	100-200	3#	ø28	350	90	140	178	120	11	23	68	17	133	178	116	120
400W 1/2HP	3-10	2#	ø22	330	65	130	158	90	11	17.5	60	13	167	152	97.5	135
	15-90	3#	ø28	360	90	140	178	120	11	23	68	17	167	178	116	135
	100-200	4#	ø32	395	130	170	215	165	13	30	70	21	167	216	138.5	135
750W 1HP	3-25	3#	ø28	380	90	140	178	120	11	23	68	17	167	178	116	135
	30-120	4#	ø32	410	130	170	215	165	13	30	70	21	167	216	138.5	135
	125-200	5#	ø40	465	150	210	265	205	15	36	85	23	167	250	160	135
1500W 2HP	3-30	4#	ø32	450	130	170	215	165	13	30	70	21	192	216	138.5	146
	40-120	5#	ø40	510	150	210	265	205	15	36	85	23	192	250	160	146
2200W 3HP	3-120	5#	ø40	530	150	210	265	205	15	36	85	23	220	250	160	160
3700W 5HP	3-10	5#	ø40	560	150	210	265	205	15	36	85	23	220	250	160	160
	15-60	6#	ø50	620	170	265	335	230	18	51	120	30	220	306	200	160

L MODEL CODE

Suntech

รุ่นหน้าแปลน ทนทานให้แรงบิดสูง
 ต้องเกียร์ใช้จากรับทนความร้อนสูง ไม่ต้องเปลี่ยนคลอคอายุการใช้งาน

L - 22 - 200 - S - B - 1 : 60



B 型法兰 B TYPE FLANGE



输出轴尺寸 Output Shaft					
输出轴 Shaft		键槽 Keyway			键 Key
Sh6	P	W	T	Q	B x H x L
ø18	30	5	20.2	27	5 x 5 x 27
ø22	40	7	25	35	7 x 7 x 35
ø28	45	7	31.1	40	7 x 7 x 40
ø32	55	10	35.5	50	10 x 8 x 50
ø40	65	10	43.5	60	10 x 8 x 60

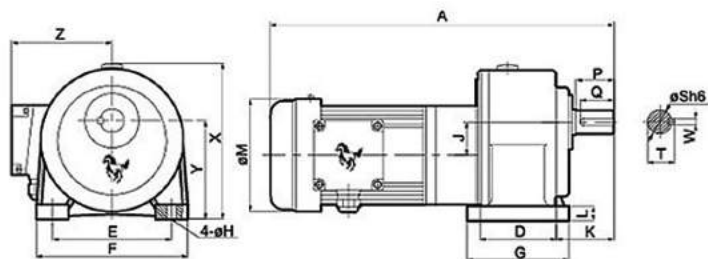
Unit (mm)

功率 Power	减速比 Ratio	箱体 Code	规格 Size	A	D	E	F	G	H	J	K	L	M	Y	Z
100W 1/8HP	3-50	1#	*ø18	250	50	140	120	120	9	16	40	12	133	6	120
	60-200	2#	ø22	280	148	185	175	165	11	17.5	50	12	133	3	120
200W 1/4HP	3-10	1#	*ø18	280	50	140	120	120	9	16	40	12	133	6	120
	15-90	2#	ø22	315	148	185	175	165	11	17.5	50	12	133	3	120
	100-200	3#	ø28	350	170	220	205	195	11	23	60	13	133	3	120
400W 1/2HP	3-10	2#	ø22	330	148	185	175	165	11	17.5	50	12	167	3	135
	15-90	3#	ø28	360	170	220	205	195	11	23	60	13	167	3	135
	100-200	4#	ø32	395	185	255	248	225	13	30	70	16	167	3	135
750W 1HP	3-25	3#	ø28	380	170	220	205	195	11	23	60	13	167	3	135
	30-120	4#	ø32	410	185	255	248	225	13	30	70	16	167	3	135
	125-200	5#	ø40	465	230	310	290	268	15	36	85	21	167	5	135
1500W 2HP	3-30	4#	ø32	450	185	255	248	225	13	30	70	16	192	3	146
	40-120	5#	ø40	510	230	310	290	268	15	36	85	21	192	5	146
2200W 3HP	3-120	5#	ø40	520	230	310	290	268	15	36	85	21	220	5	160
3700W 5HP	3-10	5#	ø40	560	230	310	290	268	13	36	85	21	220	5	160
	15-60	6#	ø50	620	280	390	360	335	18	51	92	25	220	5	160

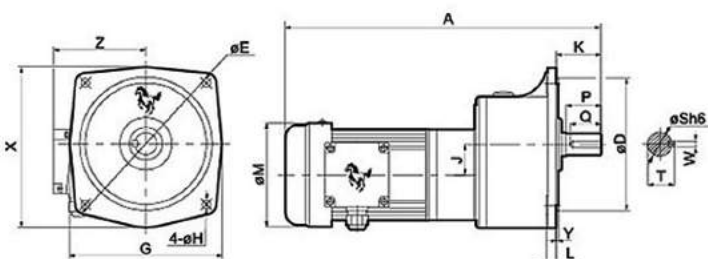
备注: 带 * 属于 B 型连接法兰 / Belong To B Type Output Flange



■卧式 Horizontal



■立式 Vertical



■尺寸表 Size Table

单位Unit: mm

功率 Power	减速比 Ratio	A	D	E	F	G	H	J	K	L	M	X	Y	Z	S	P	Q	W	T	重量 Weight
100W 1/8HP	缩框型250-1800 (1#+2#)	345	65 (148)	130 (185)	158 (175)	90 (165)	12	33.5	60 (48)	13 (12)	133	152 (f)	97.5 (3)	120	22	40	35	7	25	12.0
	标准型250-1800 (1#+3#)	370	90 (170)	140 (220)	178 (205)	120 (195)	12	39	68 (58)	17 (13)	133	178 (f)	116 (3)	120	28	45	40	7	31.1	14.5
200W 1/4HP	缩框型250-1800 (1#+3#)	410	90 (170)	140 (220)	178 (205)	120 (195)	12	39	68 (58)	17 (13)	133	178 (f)	116 (3)	120	28	45	40	7	31.1	18.0
	标准型250-1800 (2#+4#)	470	130 (185)	170 (255)	210 (239)	165 (216)	13	47.5	70(66.5)	18 (16)	133	216 (f)	138.5 (3)	120	32	55	50	10	35.5	28.0
400W 1/2HP	缩框型250-1800 (2#+4#)	480	130 (185)	170 (255)	210 (239)	165 (216)	13	47.5	70(66.5)	18 (16)	167	216 (f)	138.5 (3)	135	32	55	50	10	35.5	30
	标准型250-1800 (3#+5#)	550	150 (230)	210 (310)	265 (278)	203 (255)	15	59	83	20 (18)	167	250 (f)	160 (5)	135	40	65	60	10	43.5	46
750W 1HP	缩框型250-1800 (3#+5#)	570	150 (230)	210 (310)	265 (278)	203 (255)	15	59	83	20 (18)	167	250 (f)	160 (5)	200	40	65	60	10	43.5	50

■高速比输出轴容许扭矩 High Ratio Output Shaft Torque

单位Unit: kg·m

功率 Power	类型 Type	速 频 率	250	300	350	400	450	500	600	700	800	900	1000	1100	1200	1300	1400	1500	1600	1700	1800
100W 1/8HP	(1#+2#) Light duty type	50Hz	11.6	11.6	11.6	11.6	11.6	11.6	11.6	11.6	11.6	11.6	11.6	11.6	11.6	11.6	11.6	11.6	11.6	11.6	11.6
		60Hz	11.6	11.6	11.6	11.6	11.6	11.6	11.6	11.6	11.6	11.6	11.6	11.6	11.6	11.6	11.6	11.6	11.6	11.6	11.6
100W 1/8HP	(1#+3#) Standard type	50Hz	11.2	11.2	11.2	11.2	11.2	11.2	22.9	22.9	22.9	22.9	22.9	22.9	22.9	22.9	22.9	22.9	22.9	22.9	22.9
		60Hz	11.2	11.2	11.2	11.2	11.2	11.2	22.9	22.9	22.9	22.9	22.9	22.9	22.9	22.9	22.9	22.9	22.9	22.9	22.9
200W 1/4HP	(1#+3#) Light duty type	50Hz	11.2	11.2	11.2	11.2	11.2	11.2	22.9	22.9	22.9	22.9	22.9	22.9	22.9	22.9	22.9	22.9	22.9	22.9	22.9
		60Hz	11.2	11.2	11.2	11.2	11.2	11.2	22.9	22.9	22.9	22.9	22.9	22.9	22.9	22.9	22.9	22.9	22.9	22.9	22.9
200W 1/4HP	(2#+4#) Standard type	50Hz	27.1	27.1	27.1	27.1	27.1	27.1	51.8	51.8	51.8	51.8	51.8	51.8	51.8	51.8	51.8	51.8	51.8	51.8	51.8
		60Hz	27.1	27.1	27.1	27.1	27.1	27.1	51.8	51.8	51.8	51.8	51.8	51.8	51.8	51.8	51.8	51.8	51.8	51.8	51.8
400W 1/2HP	(2#+4#) Light duty type	50Hz	27.1	27.1	27.1	27.1	27.1	27.1	51.8	51.8	51.8	51.8	51.8	51.8	51.8	51.8	51.8	51.8	51.8	51.8	51.8
		60Hz	27.1	27.1	27.1	27.1	27.1	27.1	51.8	51.8	51.8	51.8	51.8	51.8	51.8	51.8	51.8	51.8	51.8	51.8	51.8
400W 1/2HP	(3#+5#) Standard type	50Hz	52.0	52.0	52.0	52.0	52.0	52.0	52.0	52.0	52.0	52.0	83.7	83.7	83.7	83.7	83.7	83.7	83.7	83.7	83.7
		60Hz	52.0	52.0	52.0	52.0	52.0	52.0	52.0	52.0	52.0	52.0	83.7	83.7	83.7	83.7	83.7	83.7	83.7	83.7	83.7
750W 1HP	(3#+5#) Light duty type	50Hz	52.0	52.0	52.0	52.0	52.0	52.0	52.0	52.0	52.0	52.0	83.7	83.7	83.7	83.7	83.7	83.7	83.7	83.7	83.7
		60Hz	52.0	52.0	52.0	52.0	52.0	52.0	52.0	52.0	52.0	52.0	83.7	83.7	83.7	83.7	83.7	83.7	83.7	83.7	83.7

Suntech GS



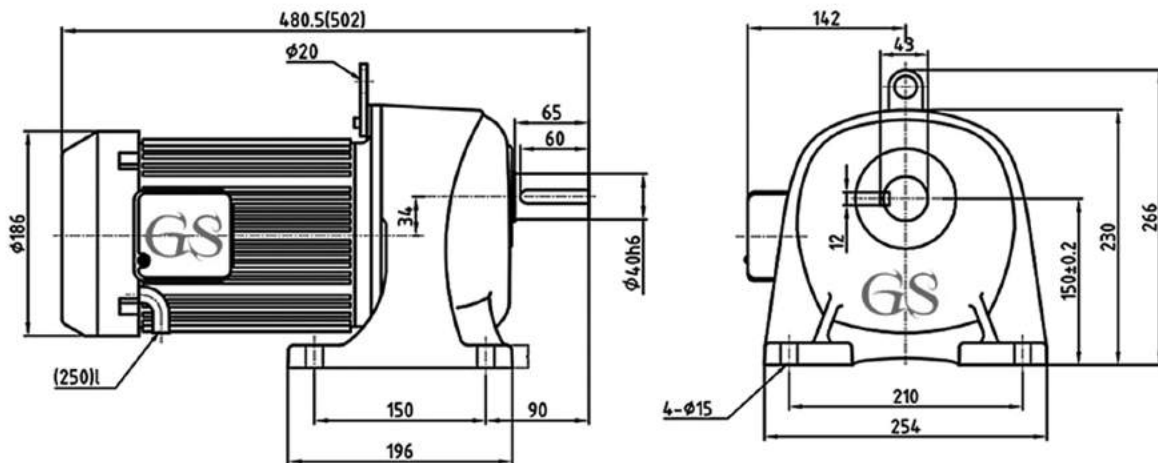
SHRIMP-FARM-GEAR สำหรับปูเลี้ยงกุ้ง

MODEL CODE

GS - E - 40 - 2200 - S - 1:15

GS MODEL
 E HORIZONTAL TYPE
 40 OUTPUT SHAFT
 2200 WATTS
 S 220/380V 3PHASE
 1:15 RATIO

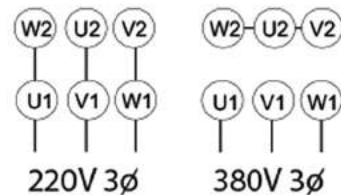
Outline dimensions



Product information

Product name	SUNTECH GS E 40 2200 S 1:15	
Specifications	Output shaft diameter	40 mm
	Reduction ratio (actual reduction ratio)	1/15
	Motor type	With Outdoor Motor
	Motor capacity	3-phase 2.2 kW (3HP)
	Voltage/frequency	220/380V / 50Hz
	Rough weight	40 kg
Performance values	Fullload current	8.9A/5.5A
	Output speed	100 rpm
	Output shaft allowable torque	200 N·m (20.4 kgf·m) /50Hz

Wiring diagram



(B) 3-Phase/4-Poles Full Load Ampere

输出马力 Capacity	50HZ					60HZ				
	220V	380V	415V	440V	rpm	220v	380v	440v	460v	rpm
100W	0.60	0.40	0.32	0.30	1380	0.60	0.40	0.30	0.29	1680
200W	1.15	0.67	0.70	0.58	1380	1.10	0.63	0.55	0.52	1680
400W	2.14	1.24	1.31	1.07	1380	1.90	1.10	0.95	0.91	1680
750w	3.67	2.13	1.94	1.84	1380	3.40	1.96	1.70	1.63	1680
1500W	6.59	3.82	3.49	3.30	1380	6.10	3.53	3.05	2.92	1680
2200W	8.94	5.18	4.47	4.47	1380	8.70	5.04	4.35	4.16	1680
3700w	13.85	8.03	7.34	6.93	1380	13.50	7.82	6.75	6.46	1680

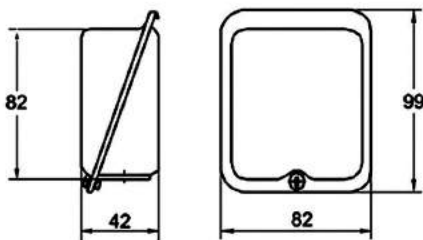
(C) 1-Phase/4-Poles Full Load Ampere

输出马力 Capacity	50HZ				60HZ			
	110V	115V	220V	230V	110V	115V	220V	230V
100W	1.60	1.50	0.80	0.75	1.34	1.25	0.66	0.63
200W	3.00	2.80	1.50	1.40	2.50	2.3	1.25	1.16
400W	6.50	6.10	3.25	3.05	5.40	5.00	2.70	2.54
750w	11.40	10.8	5.80	5.40	9.50	9.00	4.83	4.50
1500W	21.00	19.80	11.50	10.00	17.5	16.5	9.58	8.33

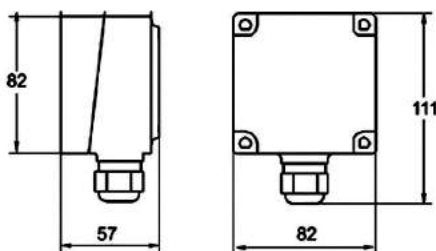
(D) Capacitor For 1-phase Motor . C running Type

输出功率 Output	运转电容/Running Capacitor	起动电容/Starting Capacitor	运转电容+起动电容 (离心开关) Running Capacitor+Starting Capacitor
100W,1/8 HP	6 μ F/450V	/	/
200W,1/4 HP	15 μ F/450V	/	/
400W,1/2 HP	/	/	15 μ F/450V+150 μ F/250V
750W,1 HP	/	/	20 μ F/450V+200 μ F/250V
1500W,2 HP	/	/	40 μ F/450V+250 μ F/250V

TERMINAL BOXES



铁壳接线盒/STEEL PLATE TERMINAL BOX



铝壳接线盒/ALUM ALLOY TERMINAL BOX

(Wiring Diagram)

(1)三相电机接线方式/FOR 3-PHASE MOTOR



(2)单相电机接线方式/FOR 1-PHASE MOTOR, C表示电容/C FOR CAPACITOR

